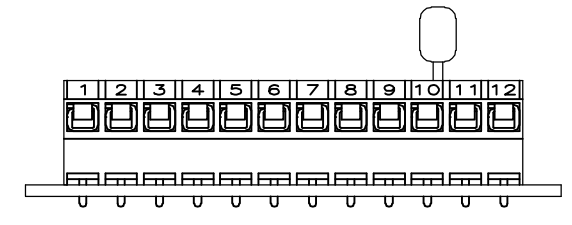
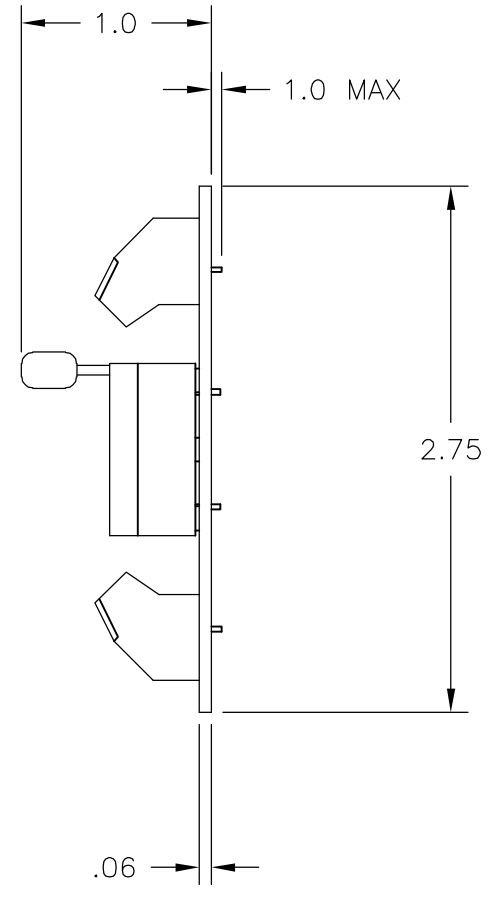
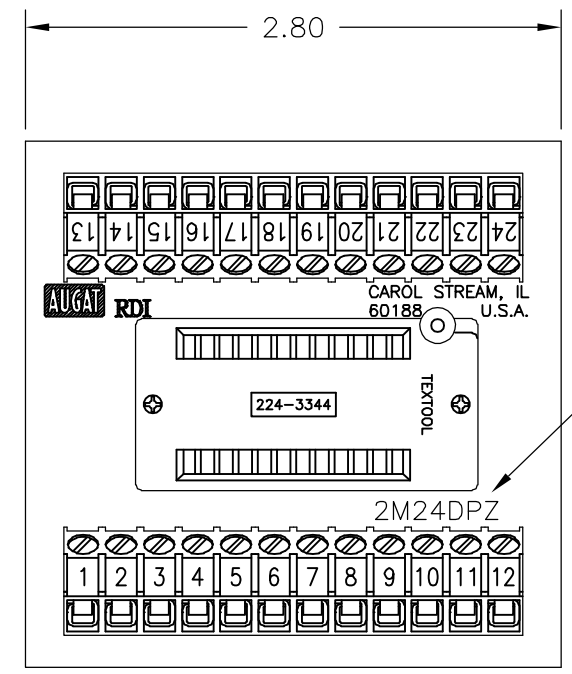


THIS DRAWING IS UNPUBLISHED. RELEASED FOR PUBLICATION  
 © COPYRIGHT BY TYCO ELECTRONICS CORPORATION. ALL RIGHTS RESERVED.

LOC	DIST	REVISIONS			
P	LTR	DESCRIPTION	DATE	DWN	APVD
FT	0	A	REVISED PER ECO-05-10413	9/30/05	SS SRY



**ZIP SOCKET:**  
 MATERIALS:  
 HOUSING: THERMOPLASTIC POLYESTER, 94V-0.  
 CONTACTS: COPPER ALLOY, GOLD PLATED.

**TERMINAL BLOCK:**  
 MATERIALS:  
 HOUSING: THERMOPLASTIC NYLON, BLACK, 94V-0.  
 TERMINALS: COPPER ALLOY, TIN PLATED.  
 SCREWS: 3M, BRASS, NICKEL PLATED

**ELECTRICAL:**  
 RATING: 10A, 300V(UL).

**MECHANICAL:**  
 WIRE RANGE: 14-22 AWG.

**MOUNTING:**  
 MATERIALS:  
 MOUNTING: 2TK2 AND 2TK2D SERIES SNAPLOCK, (SOLD SEPARATELY).

- ⚠ CATALOG NUMBER MARKED HERE.
- ⚠ CONTAINS NO TIN-LEAD PLATING.

⚠	2M24DPZ-L	1776628-1
	2M24DPZ	1-1437684-5
	CATALOG NO.	PART NUMBER

THIS DRAWING IS A CONTROLLED DOCUMENT.		DWN M.S. FEHER 02APR2004	Tyco Electronics Corporation Harrisburg, PA 17105-3608	
DIMENSIONS: INCHES		CHK S YODER 02APR2004		
		APVD S YODER 02APR2004	NAME 2M16DPZ ASSEMBLY	
TOLERANCES UNLESS OTHERWISE SPECIFIED:		PRODUCT SPEC	-	
0 PLC ± -		APPLICATION SPEC	-	
1 PLC ± .1		WEIGHT	-	
2 PLC ± .01		CUSTOMER DRAWING	SCALE	NTS
3 PLC ± -		SIZE	A3	CAGE CODE
4 PLC ± -		DRAWING NO	G-1-1437684-5	
ANGLES ± -		RESTRICTED TO	-	
FINISH		REVISION	A	
-		SHEET	1 of 1	